

Datasheet - *Permaplay*

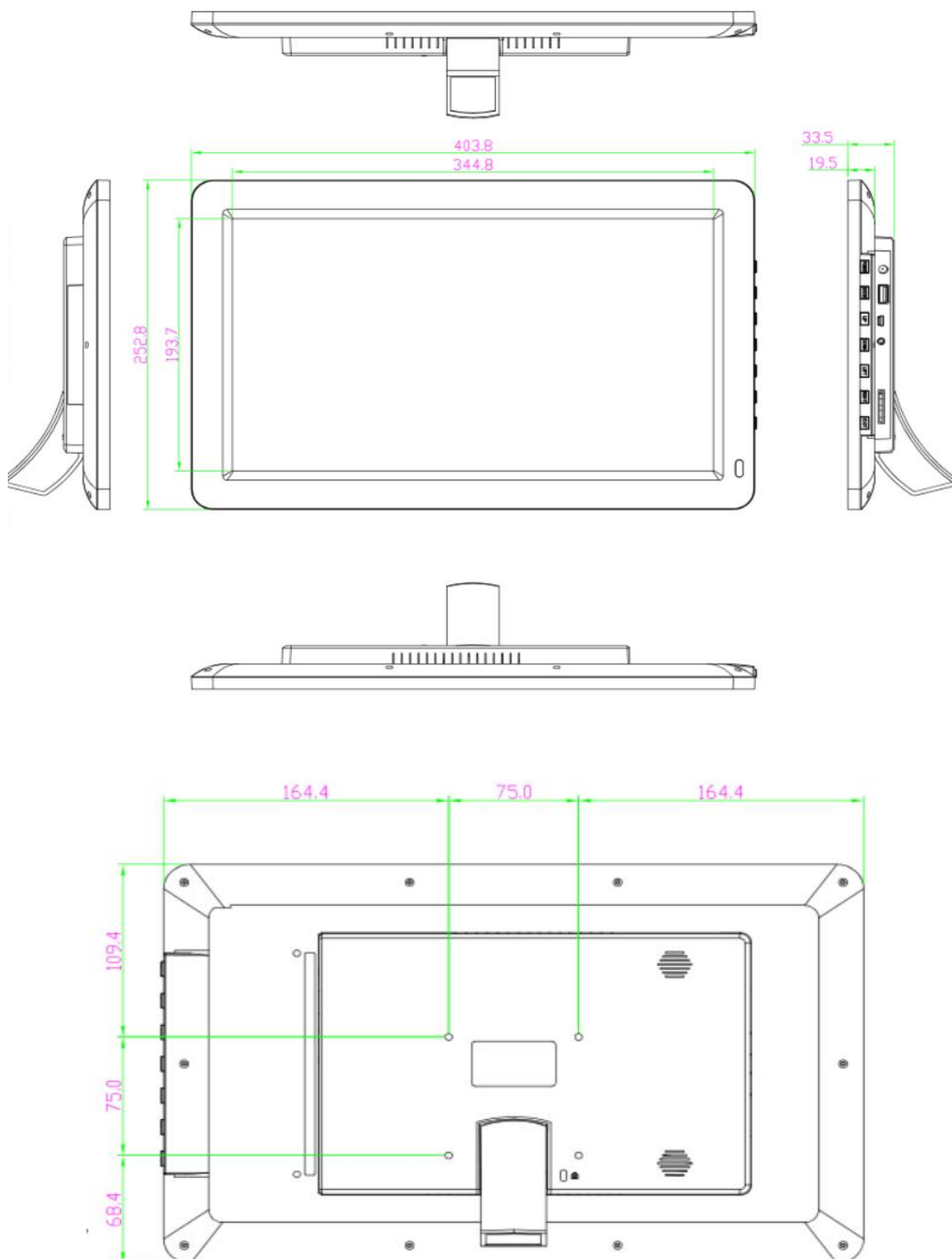
Product Specification

Model No.: P16KDTAB02NS

CPU	Rockchip RK3288, quad-core Cortex-A17, GPU Mali-T764, Up to 1.8G
OS	Android 6.0.1 / Android 8.1
RAM	DDR3 2G/(4G optional)
Internal Storage	EMMC 16G (32G/64G Optional), supports NAND FLASH.
Resolution/Aspect Ratio	1920x1080/16:9
Viewing Angle	85/85/85/85
Network Support	With RJ45 port, supports 10/100/1000M Ethernet. Built-in Wifi&BT module, supports Wi-Fi 802.11b/g/n (ac upgradable), BT4.1.
Image rotation	Supports 0°, 90°, 180°, 270° manual / automatic rotation and gravity sensing.
Clock	Built-in battery power supply.
User Interface	USB Host x1, USB OTGx1 TF card, supports up to 32GB HDMI output.
Hardware Keys	7 Buttons (Menu /Esc/Vol-/Vol+/Next/Prev/Enter)
Stereo Speaker	3Wx2
Brightness	250nits
Contrast	700:1
Lifetime	30000hrs
Audio	MP3,WMA,WAV, APE, FLAC, AAC, OGG,M4A,3GPP
Video	H.264,MPEG2,VP6,VP8,MVC 2160P@24FPS. YouTube online video play, up to 1080P, HTML5, Flash10.1.
Picture	Supports PNG,BMP,JPG
Power Adapter	Input: AC100-240V.50-60HZ Output: DC12V 3A.
Language	Multiple languages.
Wall mount	VESA 75mm
Weight	2.2Kg
Operation Condition	0°C~40°C
Storage Condition	-20°C~55°C

Datasheet - *Permaplay*

Dimension:



Datasheet - *Permaplay*

Photos:

