

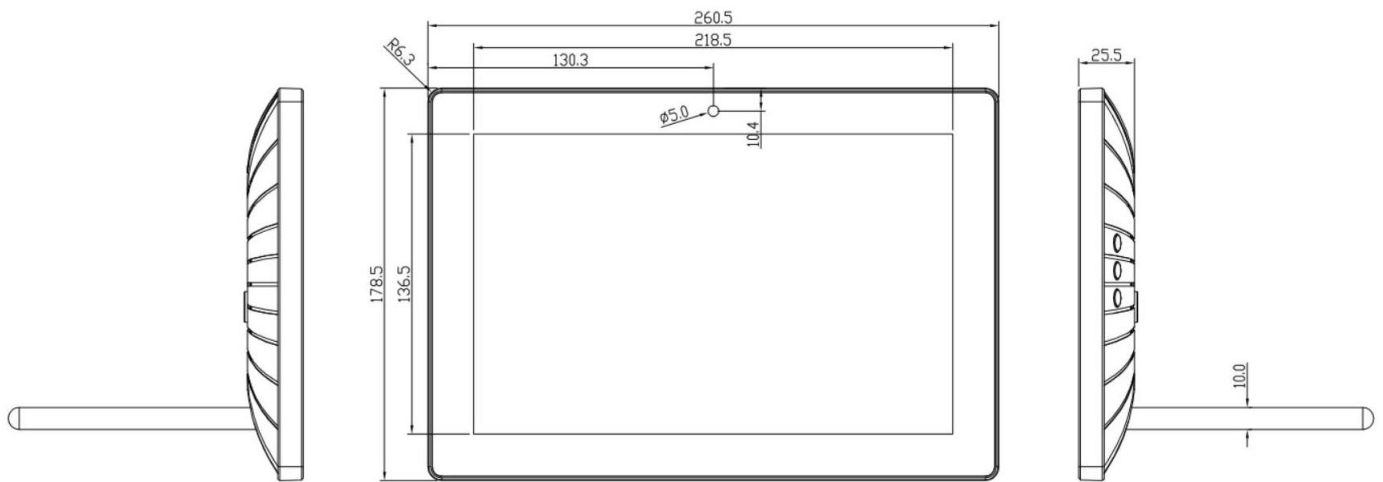
Product Specification

P10KDTAB02NS

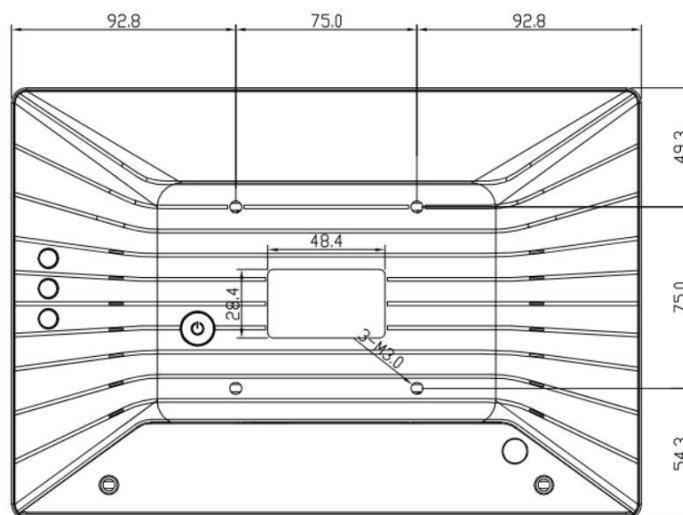
CPU	Rockchip RK3288, quad-core Cortex-A17, GPU Mali-T764, Up to 1.8G
OS	Android 8.1
RAM	DDR3 2G/(4G optional)
Internal Storage	EMMC 16G (32G/64G Optional), supports NAND FLASH.
Resolution/Aspect Ratio	1280x800/16:9
Viewing Angle	80/80/80/80
Network Support	With RJ45 port, supports 10/100/1000M Ethernet. Built-in Wifi & BT module, supports Wi-Fi 802.11b/g/n (ac upgradable), BT4.1.
Image rotation	Supports 0°, 90°, 180°, 270° manual / automatic rotation and gravity sensing.
Clock	Built-in battery power supply.
User Interface	USB Host x1, USB OTGx1 TF card, supports up to 32GB HDMI output.
Hardware Keys	3 Buttons (Power/ Vol-/vol+)
Stereo Speaker	1Wx2
Brightness	250nits
Contrast	500:1
Lifetime	30000hrs
Audio	MP3,WMA,WAV, APE, FLAC, AAC, OGG,M4A,3GPP
Video	H.264, MPEG2, VP6, VP8, MVC 2160P@24FPS. YouTube online video play, up to 1080P, HTML5, Flash10.1.
Picture	Supports PNG,BMP,JPG
Power Adapter	Input: AC100-240V.50-60HZ Output: DC5V 2A.
Language	Multiple languages.
Wall mount	VESA 75mm
Weight	0.475Kg
Operation Condition	0°C~40°C
Storage Condition	-20°C~55°C

Datasheet - *Permaplay*

Dimension:



Front/Side View



Back View

Datasheet - *Permaplay*

Photos:

